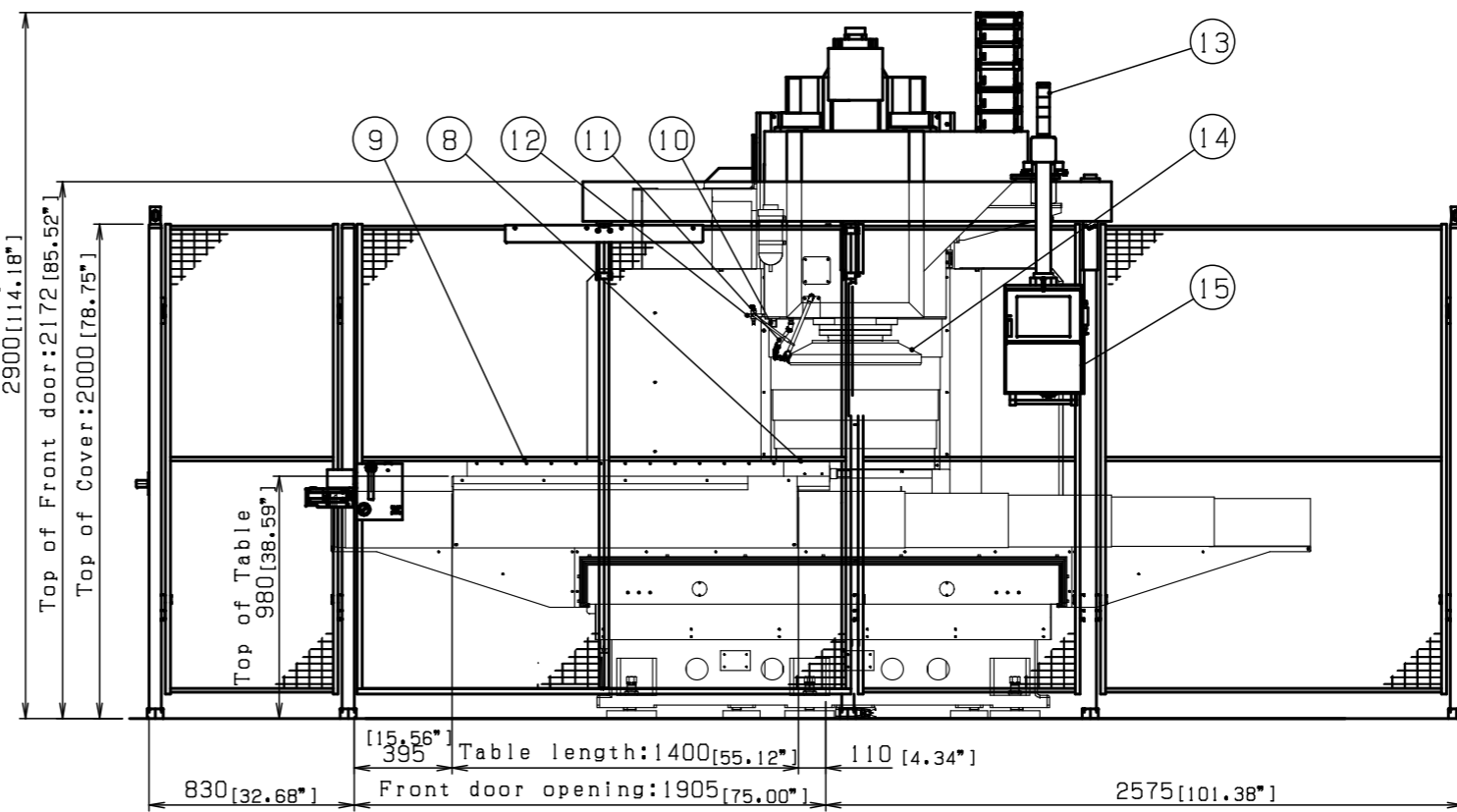
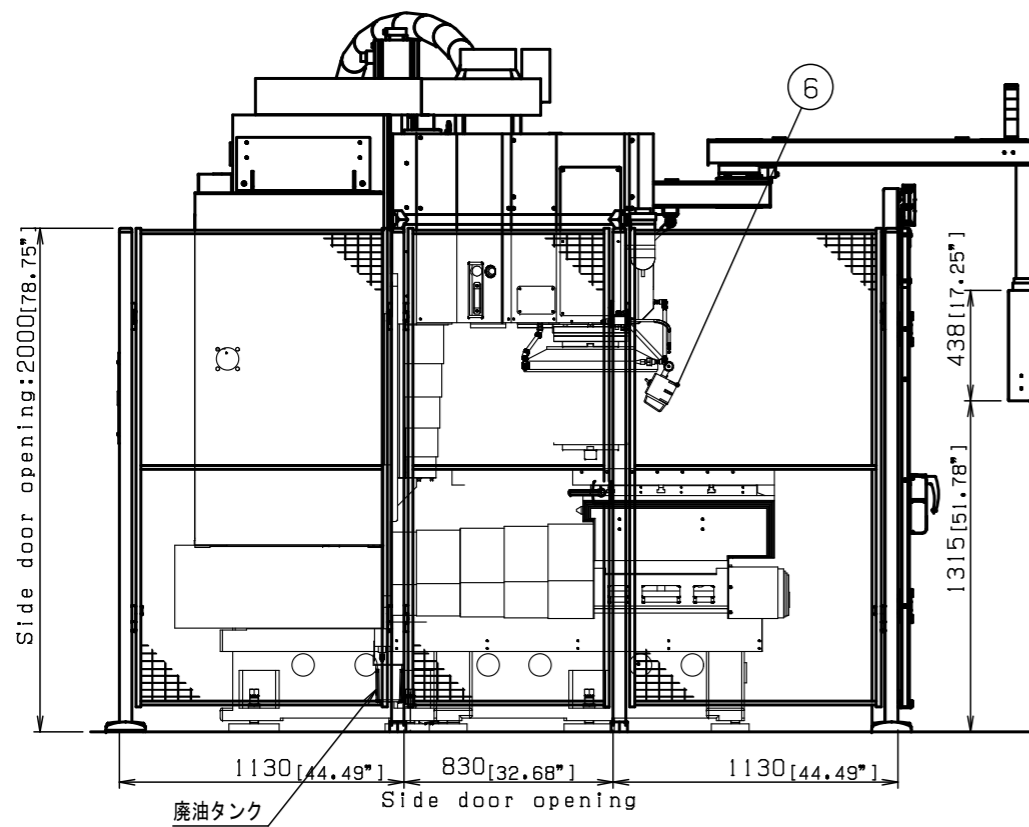
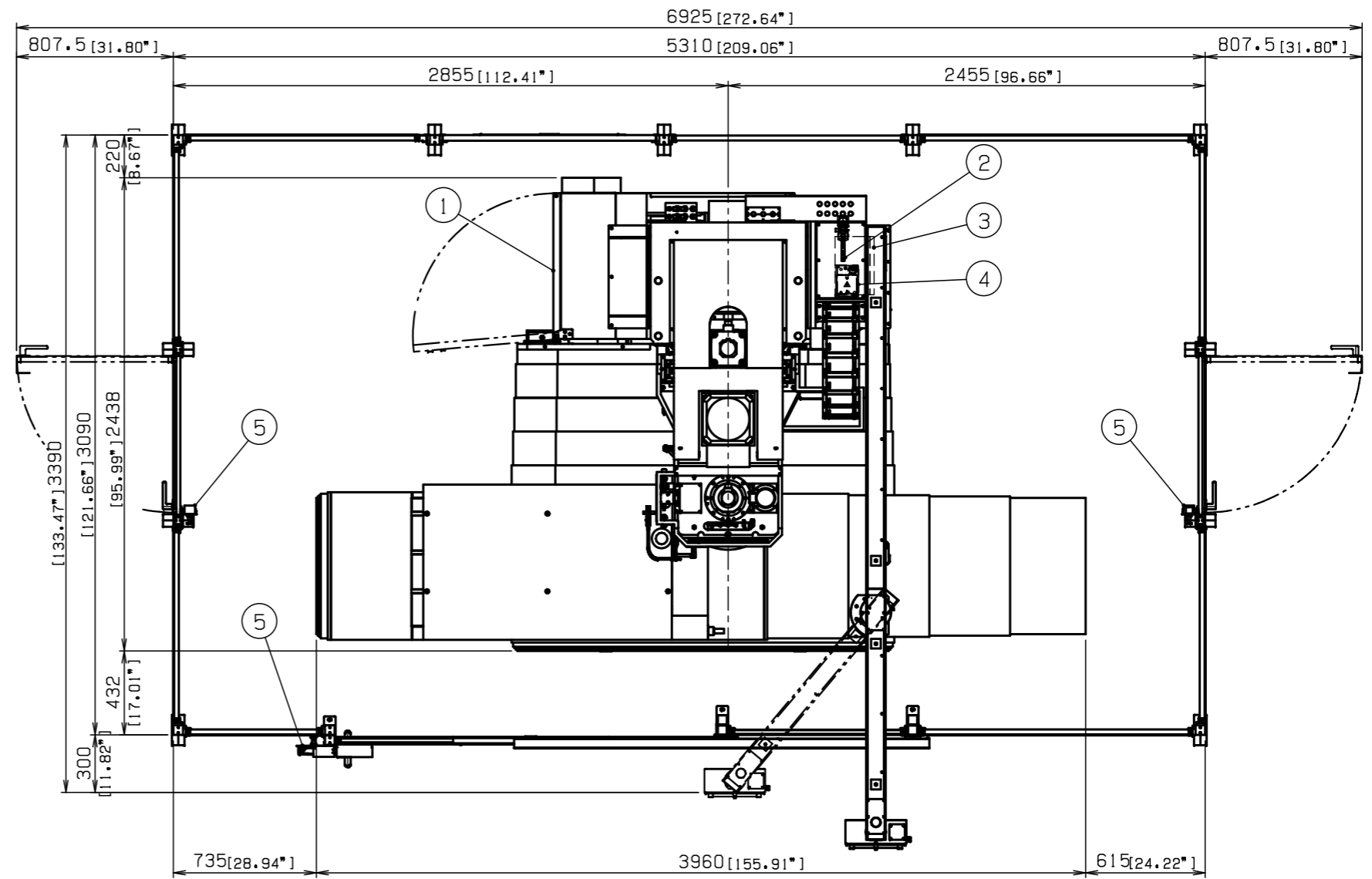


No.	Name
1	Control box
2	Air pressure
3x	Chuck master
4	Lubrication oil pump
5	Safety switch
6x	Work light
7	Waste oil tank
8x	Insert measuring system
9x	Magnet chuck with air floating
10	Workpiece measuring system
11	Chip air blower
12x	Oil mist
13x	Signal light
14x	D525 cutter
15	Operation box

*:Option



No.	Name
1	Control box
2	Air pressure
3x	Chuck master
4	Lubrication oil pump
6x	Work light
7	Waste oil tank
8x	Insert measuring system
9x	Magnet chuck with air floating
10	Workpiece measuring system
11	Chip air blower
12x	Oil mist
13x	Signal light
14x	D525 cutter
15	Operation box

*:Option

