

SOLUTION

VT SERIES

VT4555 (8-MARK-II) • VT4555M (8-MARK-III)



The Worlds Most Popular
Vertical Tilt-Frame Bandsaw



◀ Also Available In
MARVEL CLASSIC

CAPACITY: 18" X 22"
OPTIONAL HIGH COLUMN CAPACITY: 18" X 28"
VT4555 BLADE WIDTH: 1" • VT4555M BLADE WIDTH 1.25"



 **AMADA**[®]
AMADA MACHINERY AMERICA, INC.

THE WORLDS MOST POPULAR VERTICAL TILT-FRAME BAND SAW

VT SERIES **VT4555**

VT4555 (8-MARK-II) = 1.00" Blade Width • Manual Column Return

VT4555M (8-MARK-III) = 1.25" Blade Width • Semi-Automatic



◀ M6: High Column



WISSES

8/F055:

Dead Roller Conveyor ▼

5' 0" (1524 mm) LONG, with five ball bearing rollers, 2.5" (64 mm) diameter, spaced on 12" (305 mm) centers, two stands, one end stop, and mounting bracket. Used as first section on either loading or discharge side of machine.

Also Available In
MARVEL CLASSIC



STANDARD FEATURES

- **SPEED RANGE:** 50-450 fpm (15-137 m/min) infinitely variable with inverter drive.
- **FRONT-MOUNTED SPEED CONTROL:** Allows blade speed to be adjusted from operator's control station.
- **FEED RANGE:** 0-140 lbs. (64 kgf) infinitely variable direct reading scale balance beam on VT4555. 0-250 lbs. (113 kgf) infinitely variable with control on operator's panel and Automatic Column Return. Column feed is mechanical with Amada Marvel clutch power feed on our VT4555M.
- **T-SLOTTED WORK TABLE:** Work area 24.25" x 33" (616 mm x 838 mm); table height 34.5" (876 mm); four machined T-slots accept .625" (15.5 mm) T-Bolts on our VT4555. Work area 24.25" x 33" (616 mm x 838 mm); Table height 38" (965 mm); Two machined T-slots on our VT4555M.
- **0° - 3° CANTED COLUMN:** Adjustable 0 or 3° forward approach angle, for notching, or increased efficiency in cutting of structural materials. (only available in VT4555M (8-MARK-III))
* VT4555 (8-MARK-II) is not adjustable and is available in either 0° or optional 3° Cant.
- **MITER CUTTING:** Column and blade tilt up to 45° on VT4555 and up to 60° right and left of vertical on the VT4555M. Optional Powered Tilt only available on the VT4555M.
- **QUICK-ACTION VICE:** Maximum opening 18" (457 mm). Jaws can be shifted to either right or left side of blade. Jaws are 6" (152 mm) high, 12" (305 mm) wide.
- **AUTOMATIC STOPS:** Adjustable stops can be pre-set to stop advance and return of blade, and also to stop motor at any location within the 18" (457 mm) travel of the blade.
*VT4555 (8-MARK-II) doesn't have auto return feature.
- **FLUSHING HOSE:** Washes chips from hard to get at places reducing clean-up time.
- **POWER CHIP BRUSH:** Together with blade wipers and flood coolant deep blade teeth free of chips.
- **EAGLE BEAK VTR BLADE:** Eagle Beak VTR blade with 3/6 tooth pitch. This is the standard blade that is included with machine purchase.

MOST POPULAR OPTIONAL FEATURES

- **M6: HIGH COLUMN**
- **8SP01337: LASER LIGHT**
- **DRO: DIGITAL TILT READOUT**
- **M3M: POWERED COLUMN TILT**
- **E4: SECOND STANDARD VISE**
- **ML2: MIST LUBE- AUTOMATIC**
- **M9A: VARIABLE VISE PRESSURE**
- **8/F055: DEAD ROLLER CONVEYOR**
- **E14: AIR POWERED VISE**

*Pictures may include some optional equipment.

*Some safety equipment may have been removed or opened to illustrate products clearly and must be in place, and functioning, prior to operation.



T-SLOTTED WORK TABLE



MITER CUTTING



E14: AIR POWERED VISE



DRO: DIGITAL TILT READOUT



M9A: VARIABLE VISE PRESSURE



ML2: MIST LUBE

PRODUCT SPECIFICATIONS & DIMENSIONS

VT4555 (8-MARK-II)

Rectangular Capacity	Standard Capacity	Optional M6 High Column Capacity
Capacity 90°	18" x 22" (457mm x 558mm)	18" x 28" (457mm x 711mm)
Capacity 45°	18" x 12.75" (457mm x 324mm)	18" x 17" (457mm x 432mm)

Tilt	0 to 45° Left and Right
Drive Motor	5 HP (3.75kw)
Blade Size	14' 6" x 1" x .035" (4420mm x 25mm x 89mm)
Optional M6 High Column Blade Size	15' 6" x 1" x .035" (4724mm x 25mm x 89mm)
Blade Speed Range	50-450fpm (15-137m/min)
Feed Pressure	0-140lbs (0-64kg)



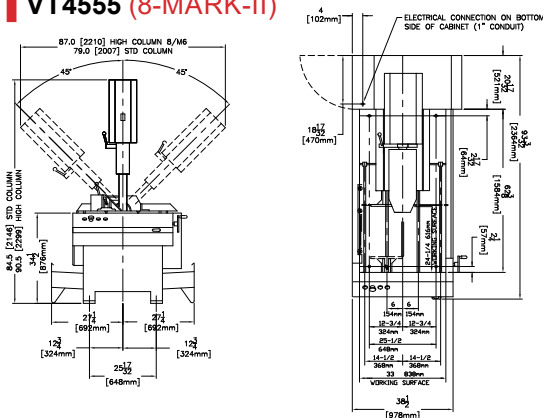
VT4555M (8-MARK-III)

Rectangular Capacity	Standard Capacity	Optional M6 High Column Capacity
Capacity 90°	18" x 22" (457mm x 558mm)	18" x 28" (457mm x 711mm)
Capacity 45° Right	18" x 14.5" (457mm x 368mm)	18" x 18.75" (457mm x 476mm)
Capacity 45° Left	18" x 13" (457mm x 330mm)	18" x 18.3" (457mm x 439mm)
Capacity 60° Right	18" x 9.7" (457mm x 246mm)	18" x 12.5" (457mm x 317mm)
Capacity 60° Left	18" x 7.3" (457mm x 185mm)	18" x 10.25" (457mm x 260mm)
Capacity 3° Forward Cant	17.5" x 22" (445mm x 558mm)	17.5" x 28" (445mm x 711mm)
Round Capacity		
Capacity Nominal	18" (457mm)	18" (457mm)

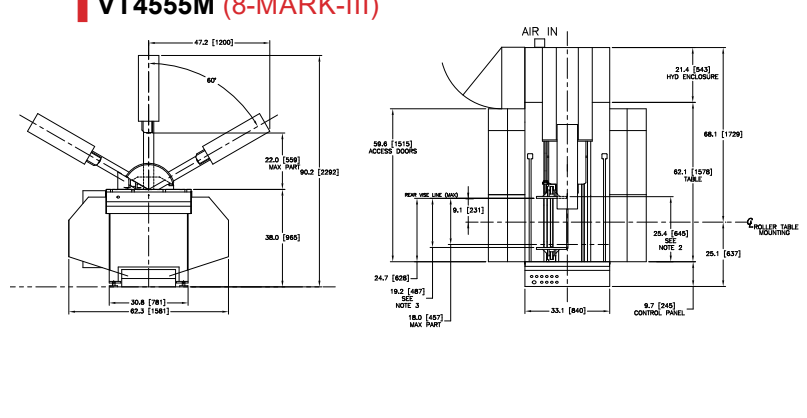
Tilt	0 to 60° Left and Right
Drive Motor	5 HP (3.75kw)
Blade Size	15' 4" x 1.25" x .042" (4674mm x 32mm x 1.07mm)
Optional M6 High Column Blade Size	16' 4" x 1.25" x .042" (4978mm x 32mm x 1.07mm)
Blade Speed Range	50-450fpm (15-137m/min)
Feed Pressure	0-140lbs (0-64kg)
UL Listed	1-UL Listed



VT4555 (8-MARK-II)



VT4555M (8-MARK-III)



- ⚠ Before using this product, please read the operator's manual carefully and follow all applicable instructions.**
- When using our products, safety equipment is required depending on the operational task.

* Specifications, appearance and equipment are subject to change without notice by reason of improvement.
 * Please use the machine model name as VT455 or VT455M, when applying for administration applications.
 Examples: installation report, export, and financing, ect. To make this catalog more legible, we have inserted hyphens in the model name such as 8-MARK-II and 8-MARK-III.
 * For any inquiries, please contact local Amada Machinery America, Inc. office.
 * The red color model name is reference for the MARVEL CLASSIC color scheme, which is an option.

© AMADA MACHINERY AMERICA, INC. All Rights Reserved.



100 S Puente St · Brea, CA 92821
 Phone: 847.285.4800 · Fax: 847.519.2127

www.amadamca.com

