

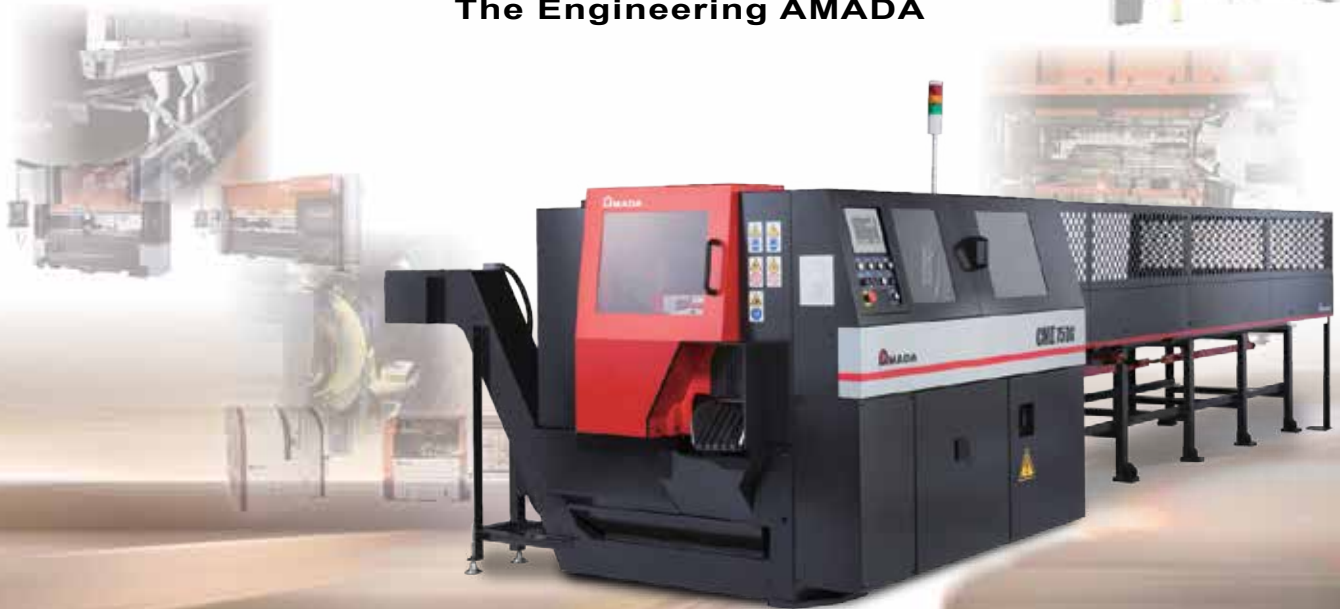
SOLUTION

CM SERIES

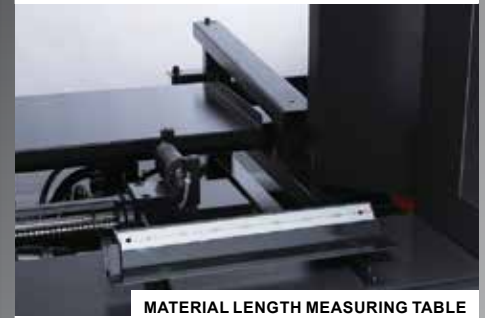
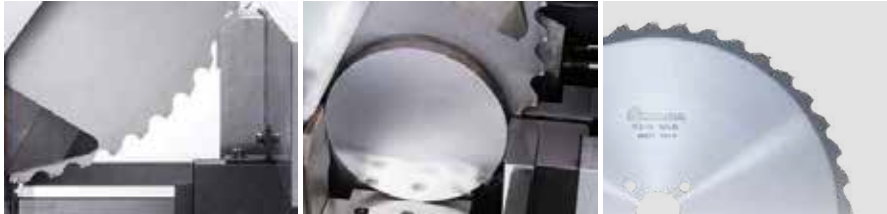
CMII75DG • CMII100DG • CMB150CNC



The Engineering AMADA



▶▶▶ **THE CMII75DG & CMII100DG** offer a new Dyna Guide technology, that is not available in any of the other conventional machines. The Dyna Guide technology enables excellent cutting surface finish, and high precision cutting, by utilizing the combination of a servomotor and a highly rigid saw head.



STANDARD FEATURES CMII75DG • CMII100DG

- DYNA GUIDE
- WIRE BRUSH
- CNC CONTROL
- INCLINE TABLE
- AUTO TRIM CUT
- CHIP CONVEYOR
- SORTING DEVICE
- WORK SUPPORTER
- SELF-DIAGNOSTICS
- CUT PIECE COUNTER
- ANTI-BACKLASH DEVICE
- CARBIDE STABILIZER PADS
- CONTROLLED MIST SYSTEM
- AMMETER MONITORING MAIN MOTOR AMP DRAW



OPTIONAL FEATURES CMII75DG • CMII100DG

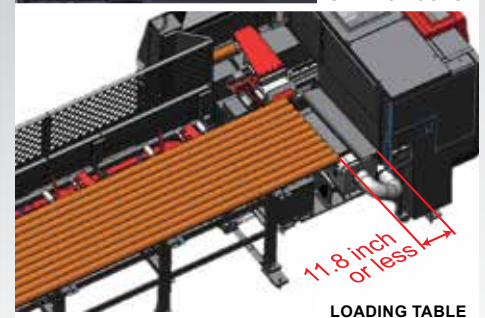
- MIST COLLECTOR
- VISE PRESSURE CONTROL
- SIGNAL TOWER (3 steps)
- EXTENDED WARRANTY = Regular 1 year + Additional year Total 2 years

Specifications may change without notice at the sole discretion of Amada's Engineering Department.



◀ DYNA GUIDE

- New technology, reduces the undulation on the cutting surface by increasing the rigidity when circular saw blade engages the material. Moreover, Dyna Guide achieves high precision cutting by suppressing vibration and swinging of circular saw blade.
- Adopts horizontal linear guide system for new saw head mechanism.
- Servomotor and ball screw are utilized as the feeder mechanism.



A PERFECT MATCH WITH AMADA BLADES

Amada also offers another unique advantage in supplying Circular Saw blades for our line up of the Amada CM Series Saws. This allows the customer to precisely match the characteristics of the blade to the machine to achieve optimum cutting performance, no matter what material you're working with.

Because Amada offers our own blades, we're able to ensure we've got the right blades, in stock, when you need them.

Using oblique-slide cutting and a cemented carbide pad (to dampen vibration), the service life of the saw blade can be greatly increased, reducing your cost per cut and longer blade life.

For each application AMADA offers the appropriate tool. Like the machines, the saw blades are continuously improved and advanced. By using AMADA Blades on AMADA Machines a perfect cutting result is always given.



BLADES FOR CIRCULAR SAWS

BLADE TYPE	CHARACTERISTICS
TCB-CB	<ul style="list-style-type: none"> ■ Carbide Teeth ■ Universal tool for use in changing material qualities
TCB-CR II	<ul style="list-style-type: none"> ■ Cermet Teeth ■ Tool for non-alloyed steels and steels with a carbon content between 0.15 to 0.45 %
TCB-TI II	<ul style="list-style-type: none"> ■ Carbide Teeth + TiN coating ■ Tool for alloy steels with a carbon content > 0.45%, but not stainless or heat resistant steels
TCB-SU	<ul style="list-style-type: none"> ■ Carbide Teeth ■ Tool for stainless steel
TCB-PT II	<ul style="list-style-type: none"> ■ Carbide Teeth ■ Tool specially for pipes and profiles
TCB-TISU	<ul style="list-style-type: none"> ■ Carbide Teeth + TiN coating ■ Tool with particularly long service life with stainless steels

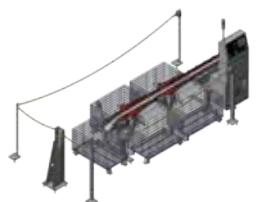
AUTOMATION

Our automation system increases the saws efficiency and reduces the burden on the operators. It is available upon the end user needs.

PRODUCT UNLOADING DEVICE



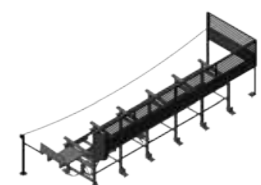
Two Stage Unloading Sorting Device



MATERIAL LOADING DEVICE



Chain Type Loading Device



Kicker Type Loading Device



*Please Contact Us for Systematization

*Pictures may include some optional equipment.

*Some safety equipment may have been removed or opened to illustrate products clearly and must be in place, and functioning, prior to operation.

▶▶▶ **THE CMB150CNC** is designed for high-precision cutting with short cycle times and maximum productivity. This saw offers the quality, features, and reliability that have made AMADA an industry leader.

STANDARD FEATURES CMB150CNC

- WIRE BRUSH
- INCLINE TABLE
- CHIP CONVEYOR
- SELF-DIAGNOSTICS
- CUT PIECE COUNTER
- SIGNAL TOWER
- ANTI-BACKLASH DEVICE
- AUTO TRIM CUT
- SORTING DEVICE
- HEAVY-DUTY CARBIDE BLADE GUIDES
- CONTROLLED MIST SYSTEM
- SPEED CHANGE BY INVERTER
- LED READOUT INDICATING FEED RATE
- LENGTH SETTING BY DIRECT READOUT
- AMMETER MONITORING MAIN MOTOR AMP DRAW

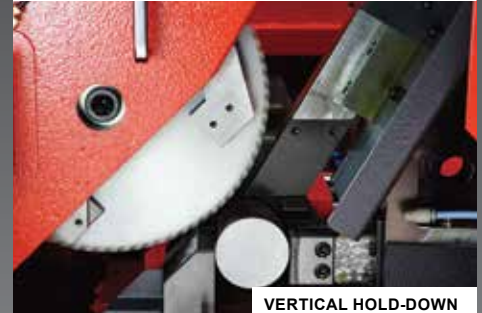
OPTIONAL FEATURES CMB150CNC

- MIST COLLECTOR
- EXTENDED WARRANTY = Regular 1 year + Additional year Total 2 years

Specifications may change without notice at the sole discretion of Amada's Engineering Department.



ELECTRIC BLADE BRAKE



VERTICAL HOLD-DOWN



HYDRAULIC MATERIAL CLAMPING



LOADING TABLE



MATERIAL SIZE ADJUSTMENT FOR LOADING TABLE



USER-FRIENDLY CNC CONTROL

HIGH-PRECISION AUTO-SIZING DEVICE

Using a photoelectric switch to detect the leading edge of the workpiece, the auto-sizing device incorporates a gripper that grips the workpiece from the right and left sides, correctly positions the workpiece, and feeds it with high precision.

CAPABLE OF CUTTING A WIDE RANGE OF MATERIALS

CMB circular saws can process a wide variety of steel materials, including round bars and rectangular bars in mild steel, stainless steels, tool steels, and nonferrous materials.



PRODUCT SPECIFICATIONS & DIMENSIONS

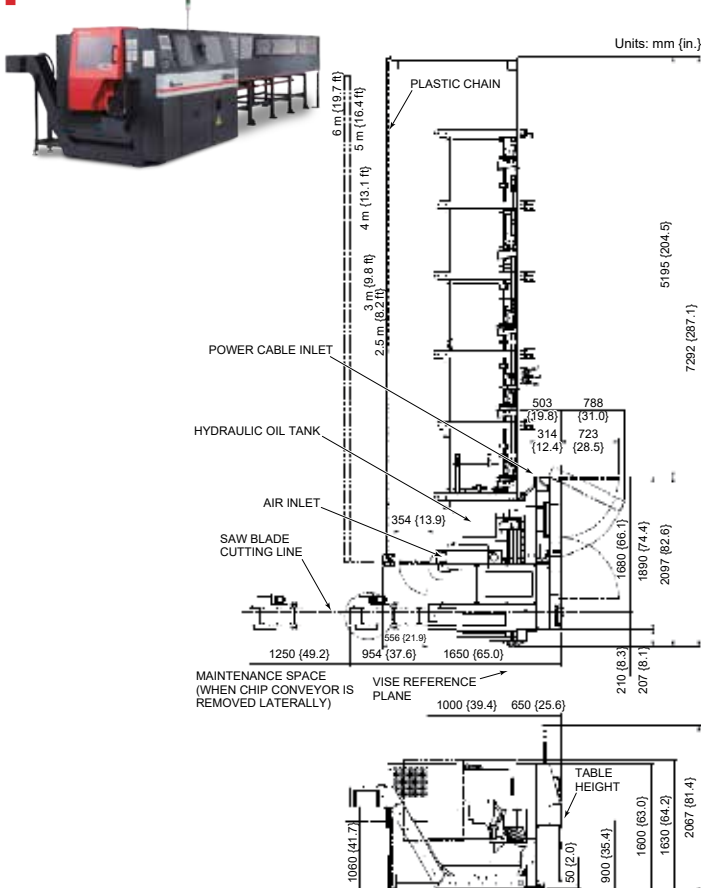
High Performance Circular Saw Machines

	CMII75DG	CMII100DG
Round Capacity (Diameter)	0.393" - 3.003" (10 - 76.3mm)	0.787" - 4.0" (20 - 101.6mm)
Rectangle Capacity (W x H)	0.393" x 0.393" - 2.559" x 2.559" (10 x 10 - 65 x 65mm)	0.787" x 0.787" - 3.149" x 3.149" (20 x 20 - 80 x 80mm)
Maximum Stock Table Loading Capacity, Round Bars (L x D)	19.6' x 3" x 10 bars or 4,761 lb* 6,000 x 76.3mm x 10 bars or 2,160 kg*	19.6' x 4.0" x 10 bars or 8,511 lb* 6,000 x 101.6mm x 10 bars or 3,860 kg*
Incline Table Dimensions (L x W x H)	20' 6" x 72.6" x 63" (6242 x 1843 x 1600mm)	20' 6" x 80.4" x 67.7" (6242 x 1843 x 1720mm)
Material Index Stroke	28.3" (719mm)	28.3" (719mm)
Material Index Length	0.393" - 393.70" (Multiple Indexing) 10 - 9999.99mm (Multiple Indexing)	0.394" - 393.70" (Multiple Indexing) 10 - 9999.99mm (Multiple Indexing)
End Trimming Length	0.39" - 3.89" (10 - 99mm)	0.39" - 3.89" (10 - 99mm)
Remnant Length	1.96" (50mm) Plus Length of Parts	1.96" (50mm) Plus Length of Parts
Saw Blade Dimensions (OD x Bore x T)	11.2" x 1.57" x 0.08" (285 x 40 x 2.0mm)	14.2" x 1.57" x 0.102" (0.098") (360 x 40 x 2.6 (2.5) mm)
Blade Speed	7.5kW, 50 to 180 rpm, by Inverter 11kW, 50 to 250 rpm, by Inverter	11kW, 50 to 180 rpm, by Inverter 15kW, 50 to 250 rpm, by Inverter
Sawhead Feed Motor	2 HP (1.5 kW) Servo Motor	2.6 HP (2.0 kW) Servo Motor
Blade Motor	10 HP (7.5kW) or 14.7 HP (11kW)	14.7 HP (11 kW) or 20.1 HP (15 kW)
Hydraulic Pump Motor	2 HP (1.5 kW)	3 HP (2.2 kW)
Cut-to-Length Feed Motor	1 HP (0.75 kW) Servo Motor	1.3 HP (1.0 kW) Servo Motor
Power Supply Voltage	AC220 ± 10%, 3 PH, 50/60 Hz or AC220 ± 10%, 3 PH, 60 Hz (All Other Voltages Require Transformer)	AC220 ± 10%, 3 PH, 50/60 Hz, or AC220 ± 10%, 3 PH, 60 Hz (All Other Voltages Require Transformer)
Power Requirement	7.5kW spec: 24kVA, 11kW spec: 27kVA	11kW spec: 30kVA, 15kW spec: 38kVA
Hydraulic Tank Capacity	8.0 gal (30 liters)	8.0 gal (30 liters)
Machine Dimensions (W x L x H)	65.0" x 82.7" x 64.2" (1650 x 2100 x 1630mm)	70.9" x 82.7" x 68.9" (1800 x 2100 x 1750mm)
Table Height	35.4" (900mm)	35.4" (900mm)
Machine Weight	4,410 lb (2,000 kg)	5,513 lb (2,500 kg)

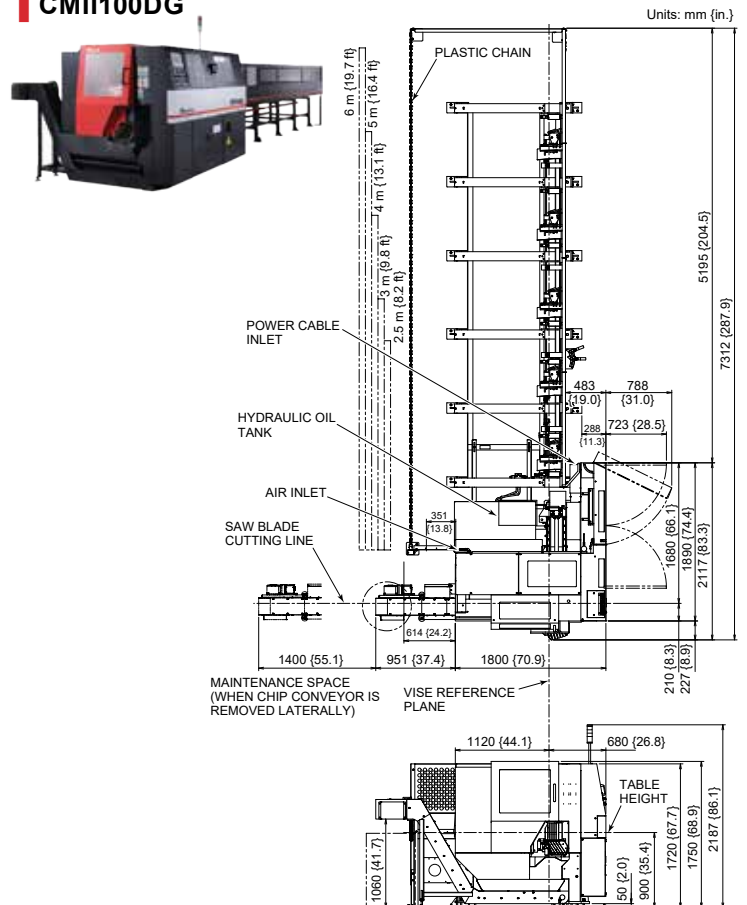
Specifications may change without notice at the sole discretion of Amada's Engineering Department.

*Evenly Distributed Over Entire Table

CMII75DG



CMII100DG



PRODUCT SPECIFICATIONS & DIMENSIONS

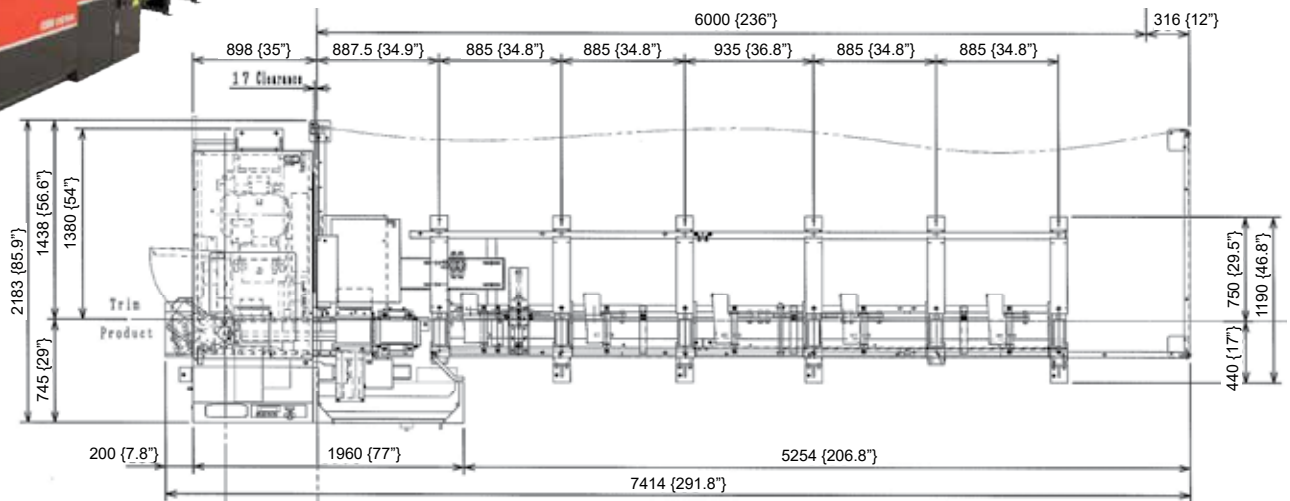
High Performance Circular Saw Machine

	CMB150CNC
Round Capacity	2.95" - 6.0" (75 - 152.4 mm)
Rectangle Capacity	2.95" x 2.95" - 3.94" x 3.94" (75 x 75 - 100 x 100mm)
Maximum Stock Table Loading Capacity, Round Bars (L x D)	19.7' x 6.0" x 3 bars or 5,732 lb* (6000 x 152.4mm x 3 bars or 2600 kg*)
Incline Table Dimensions (L x W x H)	17.8' x 46.9" x 44.0" (5431 x 1190 x 1117mm)
Material Index Stroke	29.7" (755 mm)
Material Index Length	0.78" - 472.44" (Multiple Indexing) 20 - 12000.0mm (Multiple Indexing)
End Trimming Length	0.78" - 1.57" (20 - 40mm)
Remnant Length	1.77" (45mm) Plus Length of Parts
Saw Blade Dimensions (OD x Bore x T)	18.1" x 1.97" x 0.11" (460 x 50 x 2.7mm)
Blade Speed	39 - 149 rpm, by Inverter
Feed Motor	2.75 HP (2.0 kW) Servo Motor
Blade Motor	15 HP (11 kW)
Hydraulic Pump Motor	2 HP (1.5 kW)
Cut-to-Length Feed Motor	3/4 HP (0.5 kW) Servo Motor
Power Requirement & Supply Voltage	32.5 kVA, AC220 ± 10%, 3 PH, 60 Hz (All Other Voltages Require Transformer)
Hydraulic Tank Capacity	5.3 gal (20 liters)
Machine Dimensions (W x L x H)	85.1" x 77.4" x 74.1" (2160 x 1967 x 1882mm)
Table Height	31.5" (800mm)
Machine Weight	6,613 lb (3000 kg)

Specifications may change without notice at the sole discretion of Amada's Engineering Department.

*Evenly Distributed Over Entire Table

CMB150CNC



Before using this product, please read the operator's manual carefully and follow all applicable instructions.

• When using our products, safety equipment is required depending on the operational task.

* Specifications, appearance and equipment are subject to change without notice by reason of improvement.

* Please use the machine model name as CMII75DG, CMII100DG, or CMB150CNC when applying for administration applications.

* For any inquires, please contact local Amada Machinery America, Inc. office.

© AMADA MACHINERY AMERICA, INC. All Rights Reserved.



100 S Puente St · Brea, CA 92821
Phone: 847.285.4800 · Fax: 847.519.2127

www.amadamca.com

