

PLOTTED:

L			
K			
J			
I			
H			
G			
F			
E			
D			
C			
B			
A			
REV	DATE	REMARKS	BY

DO NOT SCALE DRAWINGS
 BREAK ALL SHARP CORNERS
 TOLERANCES BETWEEN MACHINED SURFACES:
 UNLESS OTHERWISE SPECIFIED:
 .X ± .1 .XX ± .02 .XXX ± .008

TITLE
WS2543M
 —

BLANK SIZE
 —

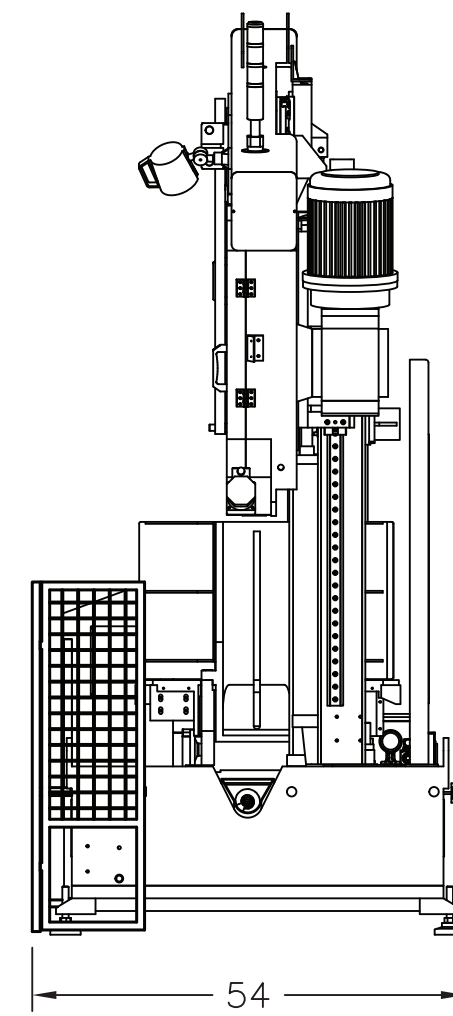
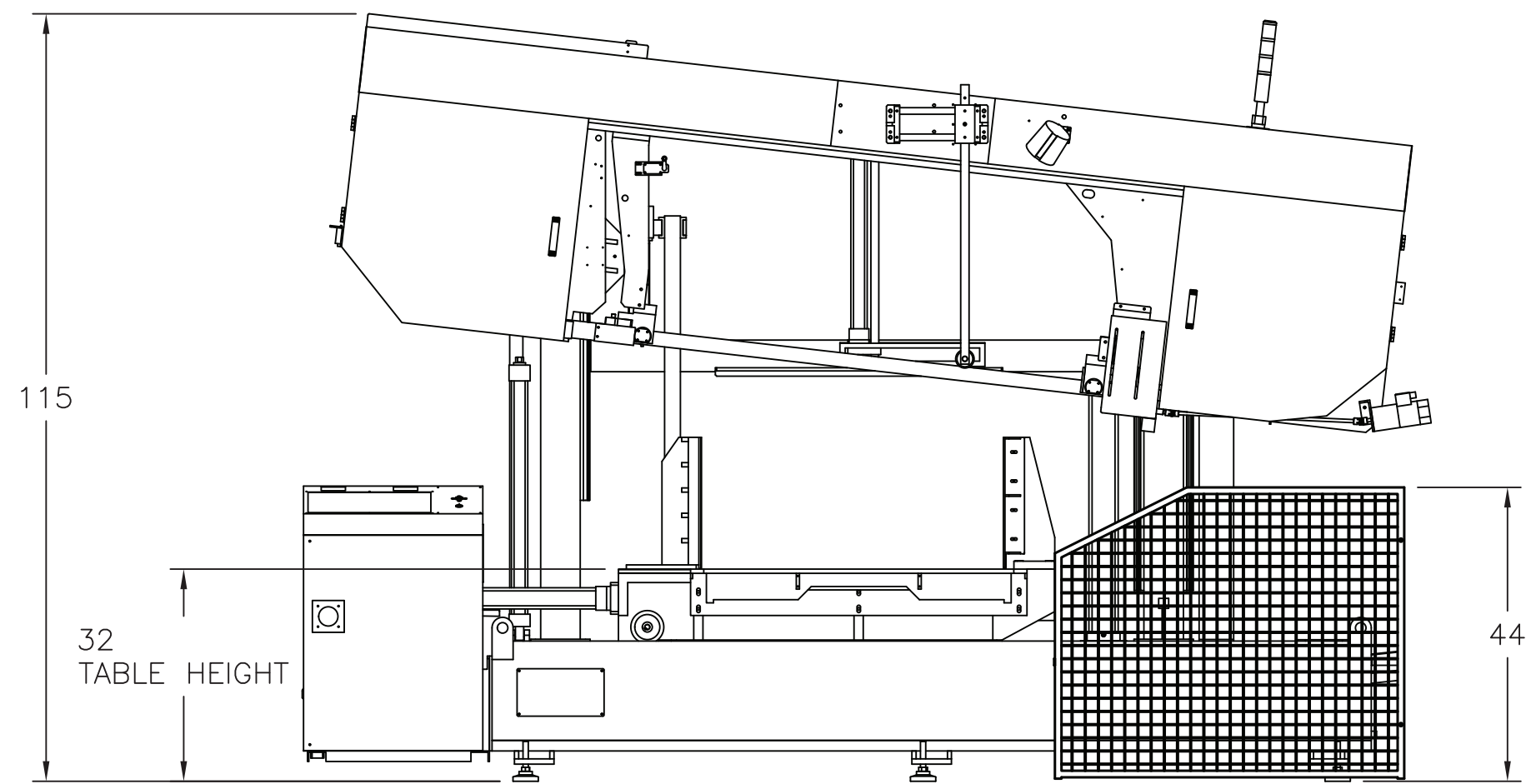
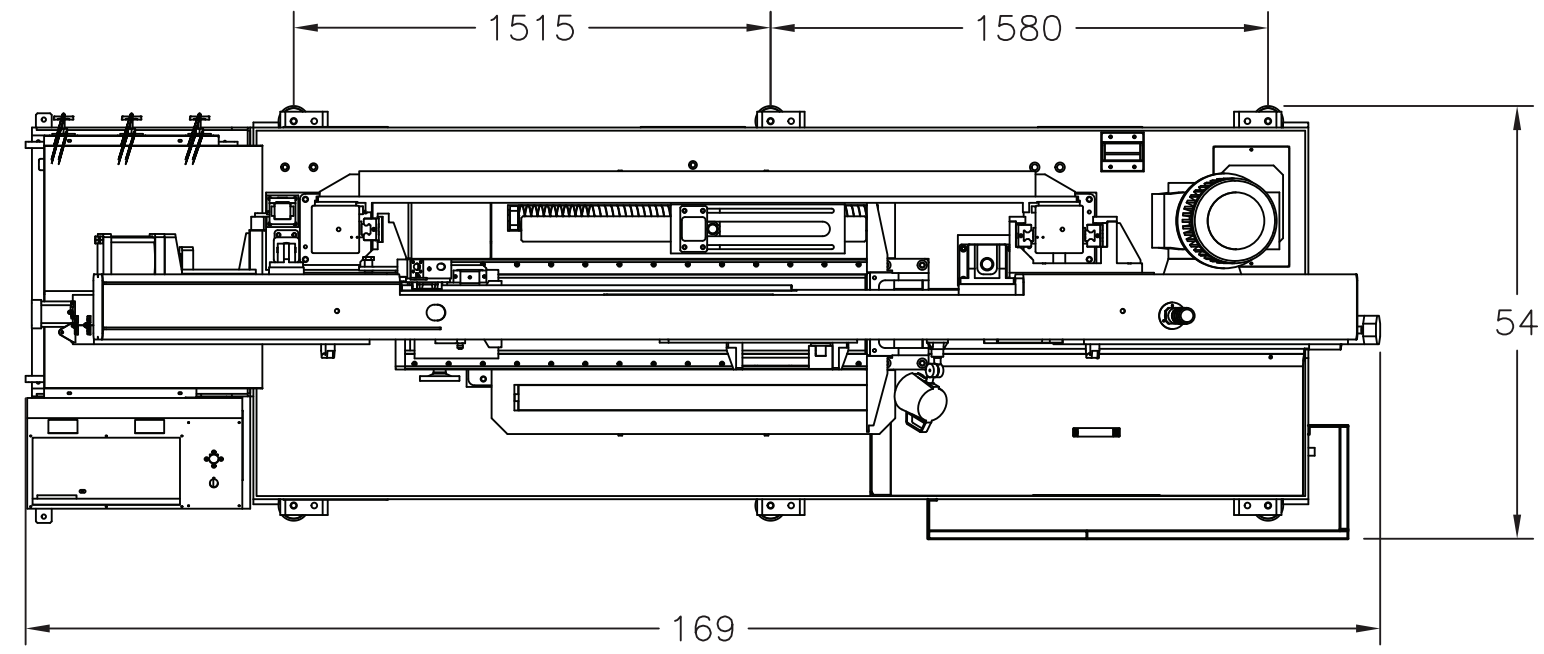
MATERIAL
 —

DATE	SCALE	DRWN BY	CHECKED BY
10/18/19	1:24.00	JLP	

ALL RIGHTS TO ENGINEERING, DESIGN,
 INVENTIONS AND PATENTS RESERVED
 TO AND PROPERTY OF:
MARVEL MFG. CO.
 OSHKOSH, WI., U.S.A.

CAD NO.
SPECWS2543M

PART NO.
SPECWS2543M



PLOTTED: 8/15/19

L			
K			
J			
I			
H			
G			
F			
E			
D			
C			
B			
A			
REV	DATE	REMARKS	BY

DO NOT SCALE DRAWINGS
 BREAK ALL SHARP CORNERS
 TOLERANCES BETWEEN MACHINED SURFACES:
 UNLESS OTHERWISE SPECIFIED:
 .X ± .1 .XX ± .02 .XXX ± .008

TITLE
W2543M
 —

BLANK SIZE
 —

MATERIAL
 —

DATE	SCALE	DRWN BY	CHECKED BY
8/15/19	1:24.00	JLP	

ALL RIGHTS TO ENGINEERING, DESIGN,
 INVENTIONS AND PATENTS RESERVED
 TO AND PROPERTY OF:
MARVEL MFG. CO.
 OSHKOSH, WI., U.S.A.

CAD NO.
SPECW2543M

PART NO.
SPECW2543M